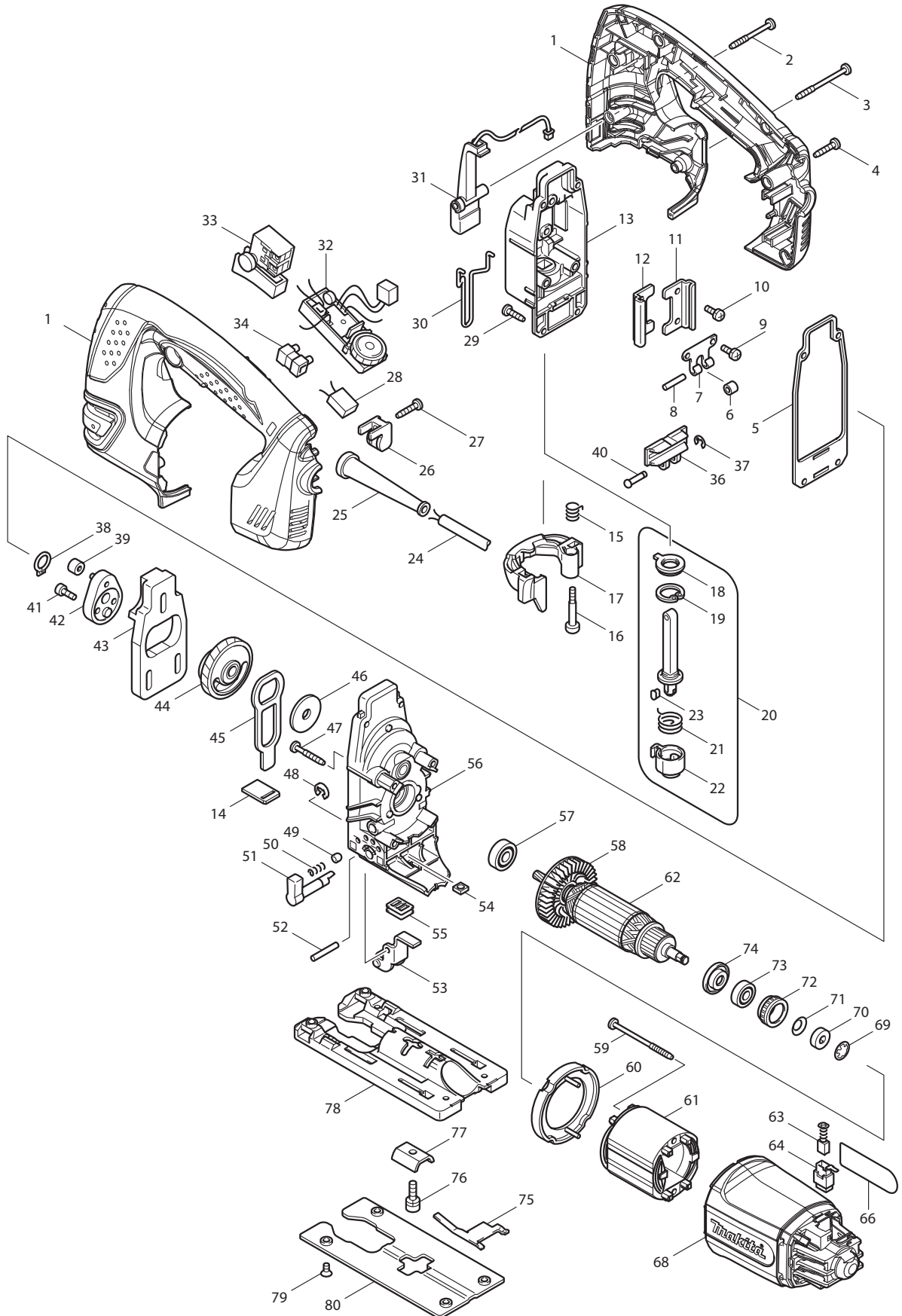




09 - 2010

4350FCT

# TOP HANDLE JIG SAW W/LIGHT



| Item No | Type | Ref  | Part No  | Description                        | Qty | Unit |
|---------|------|------|----------|------------------------------------|-----|------|
| 001     |      |      | 188287-5 | HANDLE SET                         | 1   | SET  |
| 002     |      |      | 266048-4 | TAPPING SCREW 4X40                 | 1   | PC.  |
| 003     |      |      | 266091-3 | TAPPING SCREW 4X50                 | 1   | PC.  |
| 004     |      |      | 265995-6 | TAPPING SCREW 4X18                 | 5   | PC.  |
| 005     |      |      | 442138-9 | PACKING                            | 1   | PC.  |
| 006     |      |      | 214031-5 | PLANE BEARING 4                    | 1   | PC.  |
| 007     |      |      | 232207-2 | LEAF SPRING                        | 1   | PC.  |
| 008     |      |      | 256117-9 | PIN 4                              | 1   | PC.  |
| 009     |      |      | 911111-5 | PAN HEAD SCREW M4X10               | 2   | PC.  |
| 010     |      |      | 911111-5 | PAN HEAD SCREW M4X10               | 2   | PC.  |
| 011     |      |      | 345240-6 | LINEAR GUIDE                       | 1   | PC.  |
| 012     |      |      | 345240-6 | LINEAR GUIDE                       | 1   | PC.  |
| 013     |      |      | 153338-3 | GEAR HOUSING COVER COM             | 1   | PC.  |
|         |      | INC. | 253313-0 | THIN WASHER 14                     | 1   | PC.  |
|         |      | INC. | 257250-0 | RING 20                            | 1   | PC.  |
|         |      | INC. | 421815-6 | DUST SEAL 8                        | 1   | PC.  |
| 014     |      |      | 417839-8 | SEAL PLATE                         | 1   | PC.  |
| 015     |      |      | 231659-4 | TORSION SPRING 6                   | 1   | PC.  |
| 016     |      |      | 265026-1 | P.H. SCREW                         | 1   | PC.  |
| 017     |      |      | 419820-5 | TOOL OPENER                        | 1   | PC.  |
| 018     |      |      | 421817-2 | DUST COVER                         | 1   | PC.  |
| 019     |      |      | 962068-3 | RETAINING RING R-18                | 1   | PC.  |
| 020     |      |      | 135060-4 | ROD ASSY (INCLUDES 165326-8 - ROD) | 1   | PC.  |
|         |      | INC. | 165326-8 | ROD                                | 1   | PC.  |
| 021     |      |      | 231660-9 | TORSION SPRING 15                  | 1   | PC.  |
| 022     |      |      | 310136-0 | BLADE HOLDER                       | 1   | PC.  |
| 023     |      |      | 310135-2 | PUSH PIN                           | 1   | PC.  |
| 024     |      |      | 664891-9 | CORD WITH PLUG 2P-18-2.5M SJ       | 1   | PC.  |
| 025     |      |      | 682559-5 | CORD GUARD 8                       | 1   | PC.  |
| 026     |      |      | 687260-7 | CORD CLAMP                         | 1   | PC.  |
| 027     |      |      | 265995-6 | TAPPING SCREW 4X18                 | 1   | PC.  |
| 029     |      |      | 266034-5 | TAPPING SCREW CT 4X16              | 4   | PC.  |
| 030     |      |      | 324233-6 | SAFETY WIRE                        | 1   | PC.  |
| 031     |      |      | 631470-8 | LED CIRCUIT                        | 1   | PC.  |
| 032     |      |      | 631765-9 | CONTROLLER                         | 1   | PC.  |
| 033     |      |      | 650231-7 | SWITCH TGL115CDT-1                 | 1   | PC.  |
| 034     |      |      | 654532-5 | TERMINAL BLOCK 1P                  | 1   | PC.  |
| 036     |      |      | 310134-4 | SLIDER                             | 1   | PC.  |
| 037     |      |      | 961017-7 | STOP RING E-3                      | 1   | PC.  |
| 038     |      |      | 961004-6 | RETAINING RING S-8                 | 1   | PC.  |
| 039     | 2    |      | 212092-9 | NEEDLE BEARING 407                 | 1   | PC.  |
| 040     |      |      | 268090-1 | PIN 4                              | 1   | PC.  |
| 041     |      |      | 265353-6 | HEX. SOCKET HEAD BOLT M4X12        | 2   | PC.  |
| 042     |      |      | 153336-7 | CRANK COMPLETE                     | 1   | PC.  |
| 043     |      |      | 313108-4 | BALANCE PLATE                      | 1   | PC.  |
| 044     |      |      | 153335-9 | GEAR COM                           | 1   | PC.  |
|         |      | INC. | 212043-2 | NEEDLE BEARING 810                 | 2   | PC.  |
| 045     |      |      | 345235-9 | PUSH PLATE                         | 1   | PC.  |
| 046     |      |      | 253877-4 | FLAT WASHER 8                      | 1   | PC.  |
| 047     |      |      | 266050-7 | TAPPING SCREW 4X30                 | 4   | PC.  |
| 048     |      |      | 961018-5 | STOP RING E-5                      | 1   | PC.  |
| 049     |      |      | 286032-3 | CAP 5                              | 1   | PC.  |
| 050     |      |      | 233139-6 | COMPRESSION SPRING 3               | 1   | PC.  |
| 051     | 1    |      | 272244-4 | LEVER 17                           | 1   | PC.  |
|         | 2    |      | 272280-0 | LEVER 17                           | 1   | PC.  |
| 052     |      |      | 268063-4 | PIN 4                              | 1   | PC.  |

| Item No | Type | Ref  | Part No  | Description                             | Qty | Unit |
|---------|------|------|----------|---|-----|------|
| 053     |      |      | 153334-1 | RETAINER COMPLETE                       | 1   | PC.  |
| 054     |      |      | 252171-1 | SQUARE NUT M5-8                         | 1   | PC.  |
| 055     |      |      | 421816-4 | DUST SEAL                               | 1   | PC.  |
| 056     |      |      | 153337-5 | GEAR HOUSING COMPLETE                   | 1   | PC.  |
| 057     |      |      | 210005-4 | BALL BEARING 608DDW                     | 1   | PC.  |
| 058     |      |      | 241881-5 | FAN 52                                  | 1   | PC.  |
| 059     |      |      | 266052-3 | TAPPING SCREW 4X60                      | 2   | PC.  |
| 060     |      |      | 417838-0 | BAFFLE PLATE                            | 1   | PC.  |
| 061     |      |      | 593506-0 | FIELD ASSY                              | 1   | PC.  |
|         |      | INC. | 654069-2 | RECEPTACLE                              | 2   | PC.  |
| 062     |      |      | 517396-7 | ARMATURE ASSY                           | 1   | PC.  |
| 063     | 2    |      | 195007-0 | CARBON BRUSH CB-407 2PC/SET, W/O ORIGIN | 1   | SET  |
| 064     |      |      | 643936-6 | BRUSH HOLDER                            | 2   | PC.  |
| 066     |      |      | 863673-8 | 4350FCT NAME PLATE                      | 1   | PC.  |
| 068     | 2    |      | 141944-6 | MOTOR HOUSING COM                       | 1   | PC.  |
|         |      | INC. | 800Y08-2 | CAUTION LABEL                           | 1   | PC.  |
| 069     |      |      | 259039-2 | SELF LOCK 6                             | 1   | PC.  |
| 070     |      |      | 688117-5 | MAGNET SLEEVE                           | 1   | PC.  |
| 071     |      |      | 267756-0 | WAVE WASHER 6                           | 1   | PC.  |
| 072     |      |      | 421494-0 | RUBBER RING 19                          | 1   | PC.  |
| 073     |      |      | 211021-9 | BALL BEARING 607LLB                     | 1   | PC.  |
| 074     |      |      | 681636-0 | INSULATION WASHER                       | 1   | PC.  |
| 075     |      |      | 232208-0 | LEAF SPRING                             | 1   | PC.  |
| 076     |      |      | 922226-3 | HEX. SOCKET HEAD BOLT M5X18             | 1   | PC.  |
| 077     |      |      | 345237-5 | CRANK PLATE                             | 1   | PC.  |
| 078     |      |      | 317565-8 | BASE                                    | 1   | PC.  |
| 079     |      |      | 912107-9 | COUNTERSUNK HEAD SCREW M4X8             | 4   | PC.  |
| 080     |      |      | 345238-3 | BASE PLATE                              | 1   | PC.  |
| D01     |      |      | 652008-6 | PAN HEAD SCREW M3.5X7                   | 2   | PC.  |
| D02     |      |      | 654077-3 | INSULATED TERMINAL FV2-M3               | 1   | PC.  |
| D03     |      |      | 654233-5 | INSULATED TERMINAL FT1.25M3TOR          | 1   | PC.  |
| D04     |      |      | 654509-0 | CONNECTOR 2-SD                          | 1   | PC.  |

### **ACCESSORIES**

- See catalogue or visit [www.makita.ca](http://www.makita.ca) for more accessories information -

|     |  |      |          |  |   |     |
|-----|--|------|----------|--|---|-----|
| A01 |  |      | 415524-7 | ANTI-SPLINTERING DEVICE                                      | 1 | PC. |
| A02 |  |      | 417852-6 | COVER PLATE  | 1 | PC. |
| A03 |  |      | 792724-9 | JIG SAW BLADE ASSORTED 6PC KIT<br>(2 EA: B-10, B-22, BRR-13) | 1 | SET |
|     |  |      | 792473-8 | JIG SAW BLADE B-22, 5PC/SET                                  | 1 | SET |
|     |  |      | 792529-7 | JIG SAW BLADE B-10, 5PC/SET                                  | 1 | SET |
|     |  |      | 792729-9 | JIG SAW BLADE BR-13, 5PC/SET                                 | 1 | SET |
| A04 |  |      | 783202-0 | HEX. WRENCH 4  | 1 | PC. |
| A05 |  |      | 824809-4 | PLASTIC CARRYING CASE  | 1 | PC. |
| A06 |  |      | 193517-1 | GUIDE RAIL ADAPTOR   | 1 | PC. |
| A07 |  |      | 193516-3 | GUIDE RULE SET   | 1 | PC. |
|     |  | INC. | 271601-3 | KNOB 20  | 1 | PC. |
|     |  | INC. | 323802-0 | GUIDE PIN  | 1 | PC. |
|     |  | INC. | 922207-7 | HEX. SOCKET HEAD BOLT M5X10                                  | 1 | PC. |
| A08 |  |      | 417852-6 | COVER PLATE  | 1 | PC. |
| A09 |  |      | P-80020  | DUST NOZZLE  | 1 | PC. |
| A10 |  |      | 199140-0 | GUIDE RAIL 1000MM  | 1 | PC. |
|     |  |      | 199141-8 | GUIDE RAIL 1500MM  | 1 | PC. |
|     |  |      | 194368-5 | GUIDE RAIL 1400MM  | 1 | PC. |
|     |  |      | 194367-7 | GUIDE RAIL 3000MM  | 1 | PC. |
|     |  |      | 194925-9 | GUIDE RAIL 1900MM  | 1 | PC. |
| A11 |  |      | B-44410  | JIGSAW BLADE 10PC/KIT  | 1 | PC. |

| <b>Item No</b> | <b>Type</b> | <b>Ref</b> | <b>Part No</b> | <b>Description</b>    | <b>Qty</b> | <b>Unit</b> |
|----------------|-------------|------------|----------------|-----------------------|------------|-------------|
| A12            |             |            | 197252-3       | GUIDE RAIL ADAPTER    | 1          | PC.         |
| A13            |             |            | 198885-7       | GUIDE RAIL CONNECTORS | 1          | PC.         |